



Olino

Suspended Cylindrical Baffles

Specialty ceilings have quickly become one of the hottest spaces in interior design. Ceilings have also become the best space for impactful noise reduction solutions. We are leading the way with a number of new systems, integrations, and designs.

Olino raises the bar in every area when compared to standard flat panels — the design is more organic and approachable, the aluminum structure is more durable, and the internal material is more effective. The great part is you can have the best without breaking the bank.

Features

- Unique tubular design
- NRC value of .95–1.70
- Industry-first aluminum internal frame
- Multiple layouts, diameters, and lengths available

Olino

Length	48", 72", 96"
Diameter	Nominal 8"
Weight	2.4 lbs per linear foot
Tolerance	+/- 1/16"
Core	100% recycled polyester wrapped aluminum perforated cylinder baffles filled with a high sound absorption acoustic substrate core that features strong thermal properties
Mounting Type	Suspended
Mounting Hardware	Griplock® Cable Grippers and 1/16" aircraft cable *
Flammability	ASTM e84 Class A
NRC	.95-1.70

* We provide aircraft cable supported attachment hardware (GripLock®) on baffle side. Installer is responsible for the ceiling hardware and 1/16" aircraft cable to suspend the baffle.

Our Craftsmanship Guarantee is really simple:

If there is a craftsmanship defect detected, we will repair or replace the impacted product.

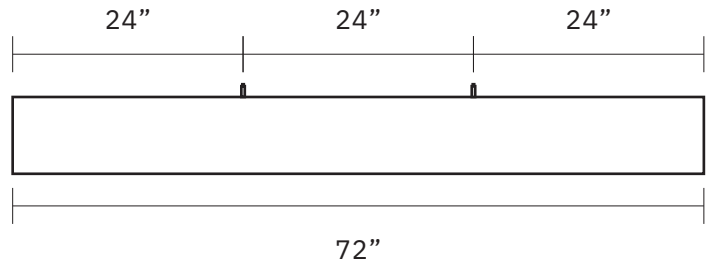
If the product was damaged during shipping and it was because of how we packaged it, we will repair or replace the impacted product.

The length of our guarantee is five (5) years provided you used a Certified PRO Installer; otherwise, it is a standard three (3) years.

Custom Shop

Need something unique? Want to co-create actionable solutions that improve the human experience? We believe, together, we can ideate, design, and build solutions that create unique experiences. Call us to discuss our Custom Shop program.

Olino



Front View

1:20 scale

Fabric Wrapped

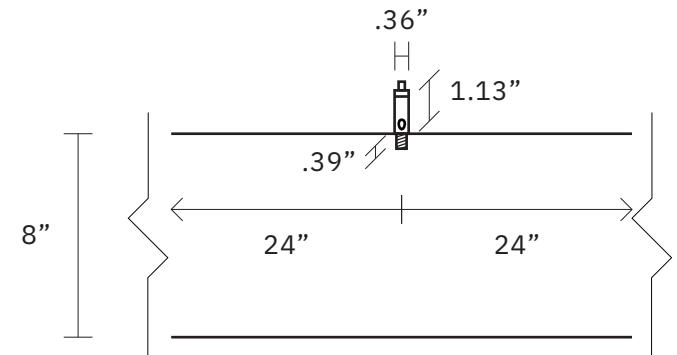
GripLock® 15Z-1420e-394-T2
Cable Grippers Shown



Side View

1:20 scale

Fabric Wrapped



Hardware Cross Section Detail View

1:5 scale

Fabric Wrapped

GripLock® 15Z-1420e-394-T2
Cable Grippers Shown

Sound Absorption

Installation	Hz	125	250	500	1,000	2,000	4,000	NRC
24" On-center	α	.21	.58	.97	1.13	1.10	1.05	.95
12" On-center	α	.44	1.13	1.77	1.94	1.94	1.84	1.70

Olino

100% Recycled Polyester Acoustical Fabric
Standard Colors



Taupe
62-19



Azure
62-08



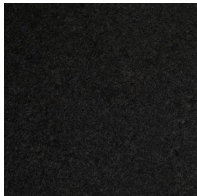
Flagstone
62-12



Teal
62-04



Mocha
62-01



Black
62-17

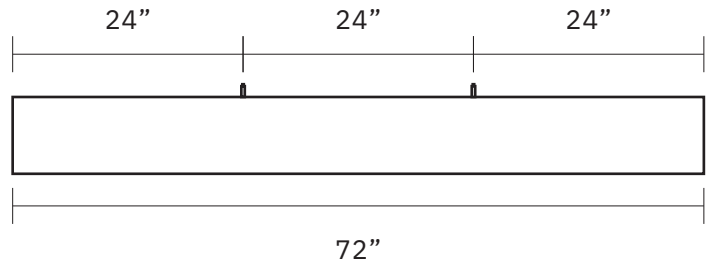


12 Additional Premium Colors Available
Contact us for more info.

Features

- Fosshield® Antimicrobial Technology
- Solution dyed to resist sun & fading
- UL Classification
- 90% post-consumer content

Olino



Front View

1:20 scale

Fabric Wrapped

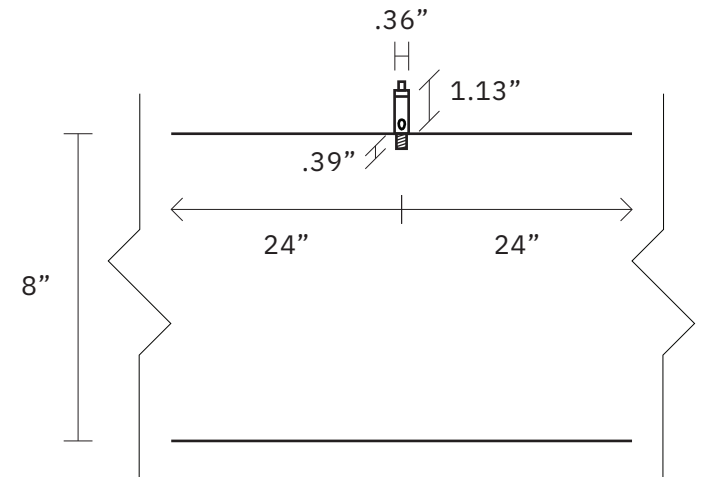
GripLock® 15Z-1420e-394-T2 Cable Grippers
Shown



Side View

1:20 scale

Fabric Wrapped



Hardware Cross Section Detail View

1:5 scale

Fabric Wrapped

GripLock® 15Z-1420e-394-T2 Cable Grippers
Shown

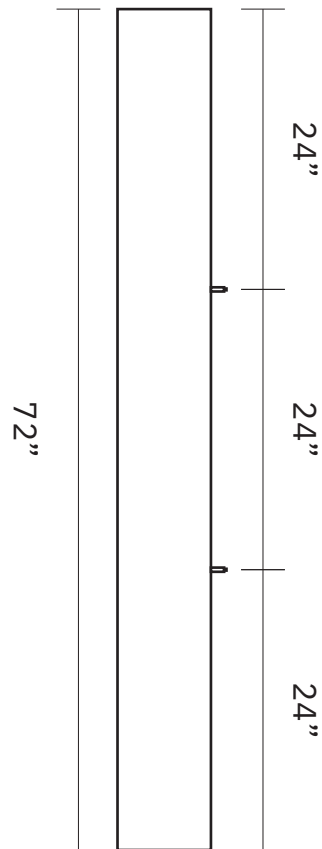
Sound Absorption

Installation	Hz	125	250	500	1,000	2,000	4,000	NRC
24" On-center	α	.21	.58	.97	1.13	1.10	1.05	.95
12" On-center	α	.44	1.13	1.77	1.94	1.94	1.84	1.70

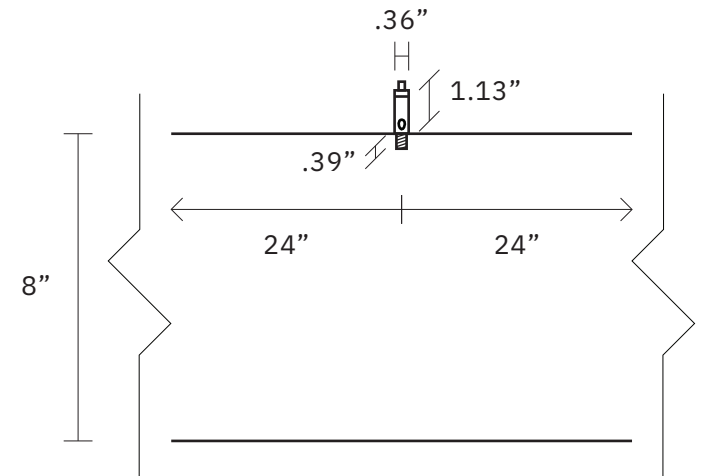
Cylinder Baffles



Front View
 1:20 scale
 Fabric Wrapped
 GripLock
 15Z-1420e-394-T2
 Cable Grippers Shown



Side View
 1:20 scale
 Fabric Wrapped
 GripLock
 15Z-1420e-394-T2
 Cable Grippers Shown



**Hardware Cross Section
 Detail View**
 1:5 scale
 Fabric Wrapped
 GripLock 15Z-1420e-394-T2
 Cable Grippers Shown

Sound Absorption

Installation	Hz	125	250	500	1,000	2,000	4,000	NRC
24" On-center	α	.21	.58	.97	1.13	1.10	1.05	.95
12" On-center	α	.44	1.13	1.77	1.94	1.94	1.84	1.70