

Wood acoustics are designed to seamlessly cover larger surface areas simply, beautifully, and most importantly, functionally. Transforming simple walls and ceilings into stunning ambient or accent additions, that also solve a space's sound challenge, has never been easier. Other wood systems require additional acoustic materials, large holes or gaps, and sub-walls. Trava and Aoudi are different, they are the acoustic panel, no extra work or products required. And thanks to our close partnership with Jacaranda Sanfoot, our wood can be matched and sequenced across millwork, MDF, and direct to drywall veneer.

Say bye-bye to fiberboard.

Welcome to the next generation of wood panels. The noise canceling acoustic core adds function, updated materials are eco-friendly and dramatically reduce weight, and installation is simpler. Only the great look of the old panels remains.

Specifications

Product Name	Trava Ceiling
Lead Time	10 weeks
Content	Premium wood veneer, MDF, and an acoustical core with 56% recycled materials
Thickness	1.25"
Sizes	2'x2' and 2'x4'
Tolerance	1/16"
Weight	1.5lbs per sq ft
Edges	Square and edgebanded
Sound Performance	ASTM C423-17 NRC: 0.83
Fire Performance	Class B
Variations	Slight and consistent variations in color and woodgrain should be expected when using this material. Slight imperfections are within normal manufacturing tolerances and not visible in standard installations.
Environmental	Panels consume a quarter of the natural resources and have a dramatically lower carbon footprint compared to equivalent millwork.
Maintenance	Vacuum to remove any loose dirt or dust. A damp cloth or compressed air can also be used to dust the material in difficult or large installations. If stains are present, you may saturate a lint-free cloth with a soap and water solution or Murphy's Oil soap.
Warranty	5 years
Unit of Sale	Per sq. ft.

Construction & Hardware



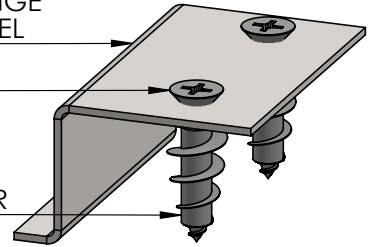
Tegular



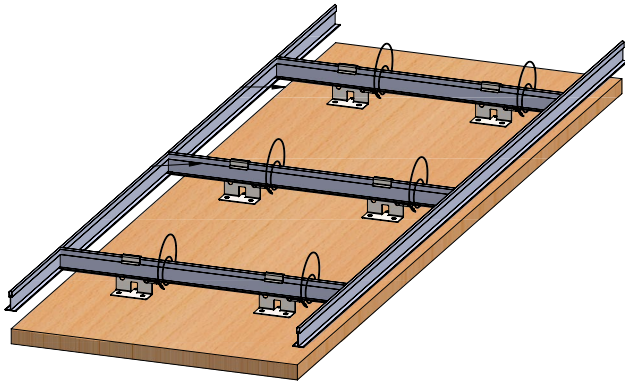
ATTACHMENT FLANGE
18 ga FORMED STEEL

#8 SCREW

DRYWALL ANCHOR



Hook and Saddle Clip



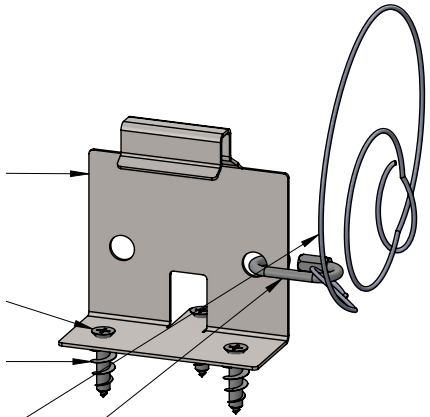
Hook and
Saddle Clip

Sheetrock
Screw

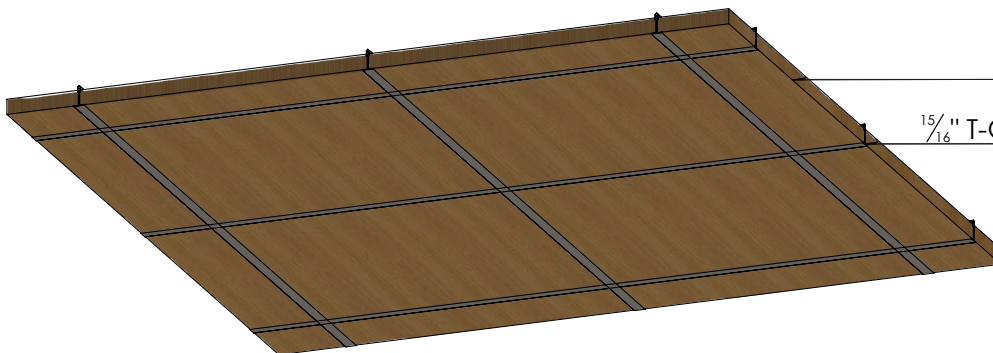
Anchor

Aircraft Cable

Carabiner



Lay-in



TRAVA PANEL

$\frac{15}{16}$ " T-GRID 24" ON CENTER

Color & Finishes



One in a Million

We offer over one hundred veneers, custom staining, and sequencing to meet the needs of any project.

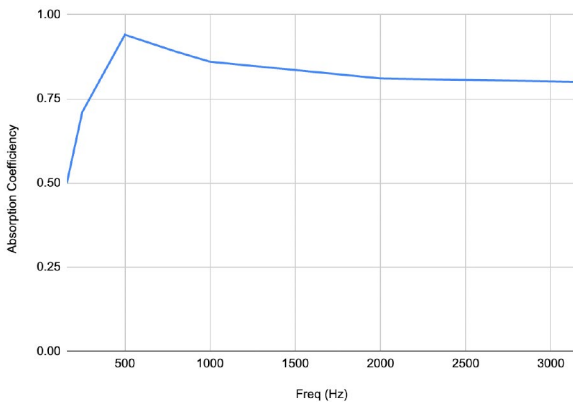
Proudly partnering with



Test Results



Absorption Coefficiency vs. Freq (Hz)



Freq (Hz) Absorption Coefficiency

160	0.50
250	0.71
500	0.94
800	0.89
1000	0.86
2000	0.81
3150	0.80
NRC	0.83

The Noise Reduction Coefficiency (NRC) is calculated as the arithmetic average of the absorption coefficients in the shaded bands only (250, 500, 1250 & 2000 Hz).

ASTM C 423-17: Type F Mounting as defined by ASTM E795 using two pieces of 0.5 in aluminum stock bar placed on floor to lift material with trim pieces to simulate a typical wall installation with mounts.