

Planks

Size	8" x 48"
Thickness	1" or 2"
Tolerance	+/- 1/16"
Core	6-7lb Fiberglass Board
Edge Detail	Hardened or wrapped
Edge Profile	Square
Mounting Type	Wall
Mounting Hardware	Impaler clips, Rotofast, Z Clips
Flamability	ASTM 84 Class A
NRC	1" = 0.80 and 2" = 1.00 - see brochure for details by size

Our craftsmanship guarantee is really simple:

If there is a craftsmanship defect detected, we will repair or replace the impacted product.

If the product was damaged during shipping and it was because of how we packaged it, we will repair or replace the impacted product.

The length of our guarantee is five (5) years provided you used a Certified PRO Installer; otherwise, it is a standard three (3) years.

For more details, see warranty details on our website.

Lead Time

Standard sizes and coverings: 2-3 weeks

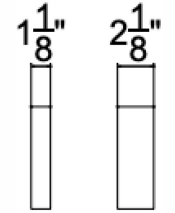
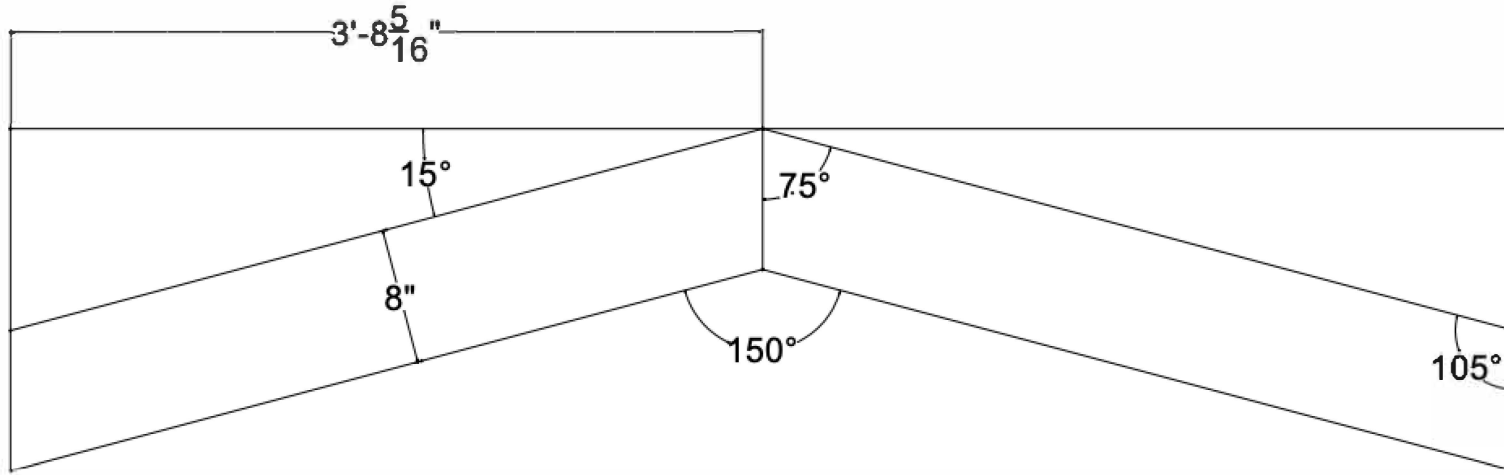
Custom sizes and coverings: 6-8 weeks

* any customer supplied coverings may require additional time for delivery and testing. Additionally, wood veneers require perforation. Any wood veneers not in stock require an additional 4-6 weeks.

Custom Shop

Need something unique? Want to co-create actionable solutions that improve the human experience? We believe, TOGETHER, we can ideate, design, and build solutions that create unique experiences. Call us to discuss our Custom Shop program.

Planks



Sound Absorption

Hz	125	250	500	1000	2000	4000	N.R.C
DAP-1"	.02	.37	.87	1.09	1.01	1.00	.85
DAP-2"	.21	.78	1.04	1.07	1.06	1.04	1.05